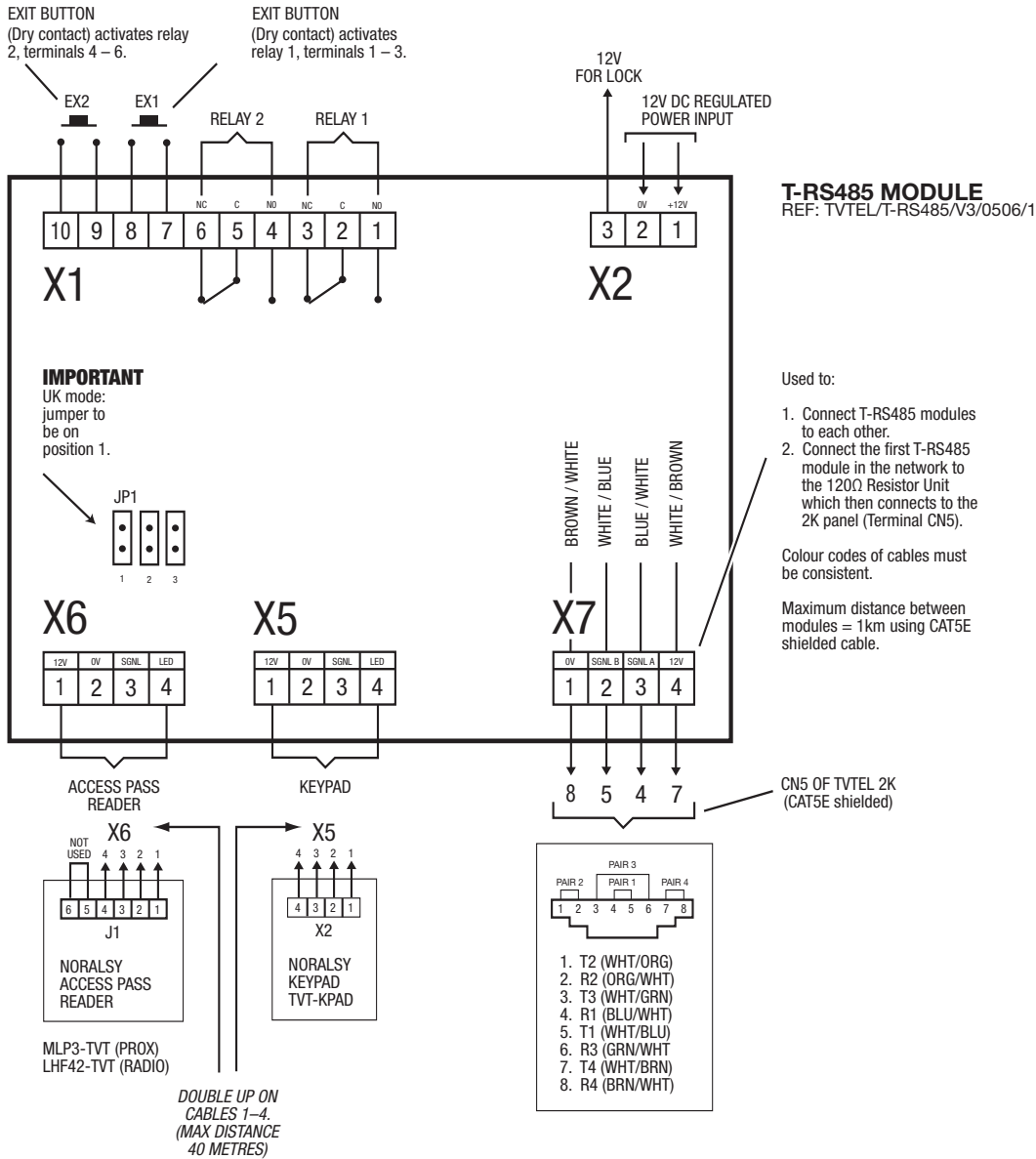


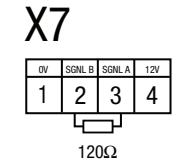
T-RS485 Module

For connection of additional Access Control Doors/Gates to TVTEL® 2K via RS485 (CAT5E shielded) Bus.



COMMUNICATIONS BUS
CAT5E SHIELDED ONLY.

WARNING: LAST T-RS485
A 120Ω (OHM) resistor must be fitted to terminals 2 and 3 of X7 of the last T-RS485 on the bus or the system **will not** work.



NOTES

Module power consumption – excluding proximity reader(s) and electric locking:

- Standby 45mA
- Maximum (both relays latched) 110mA.

The T-RS485 module connects to terminal CN5 (RJ45 connector) on a TVTEL 2K using a CAT5E shielded cable.

Noralsy® MLP3-TVT, MIR-TVT, LHF42-TVT or LPT03-TVT readers connect to terminal block X6 of the T-RS485.

TVT-KPAD keypad connects to the terminal block X5 of the T-RS485.

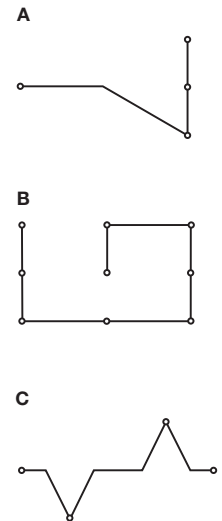
Software Version must be 3.03 or later.

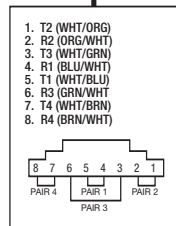
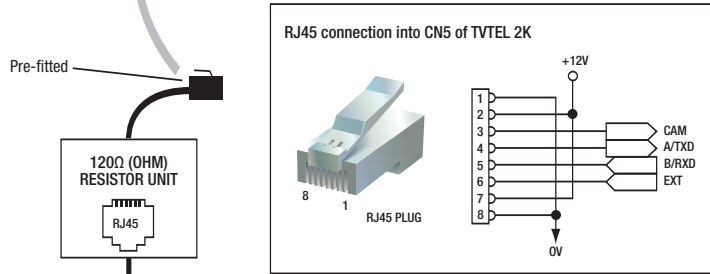
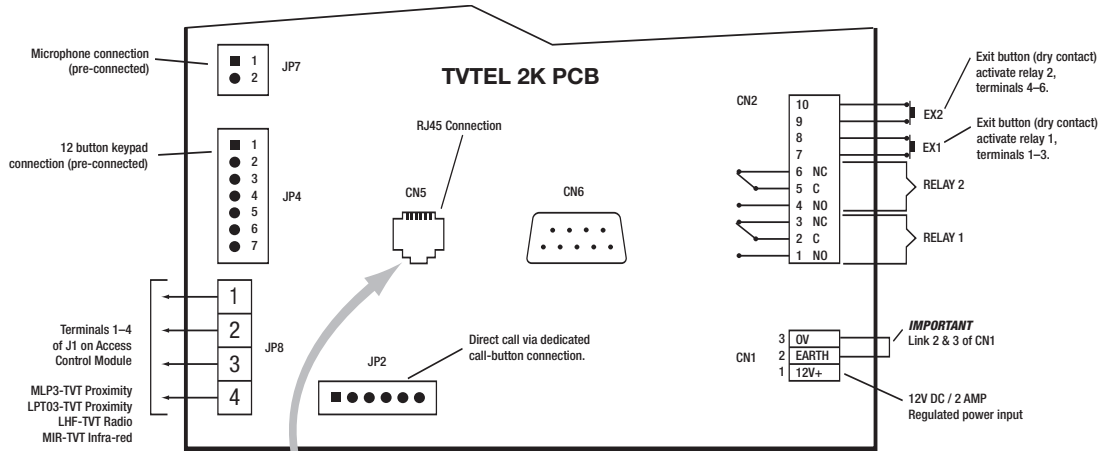
A maximum of 16n° T-RS485 modules can be connected to 1n° TVTEL 2K panel. Each T-RS485 controls 2n° relays and presentation of a valid Access Pass can be programmed to activate both relays simultaneously. A maximum of 8n° access zones are available.

Usually Relay 1 is used to control a door and, if used, Relay 2 triggers a CCTV camera, light etc. Relay activation time (secs) can be independently set for both relays, for example:

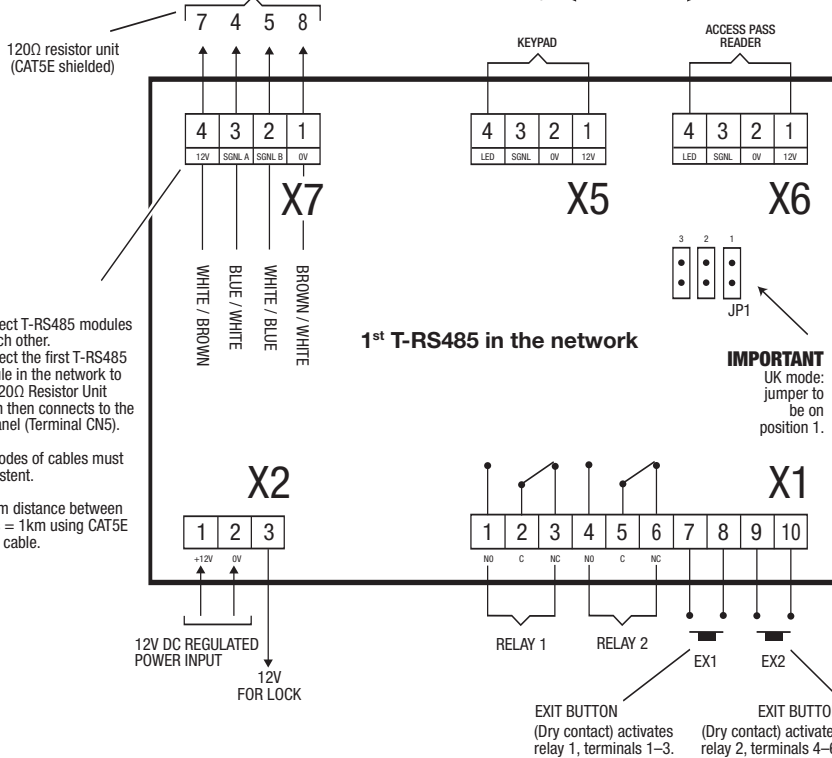
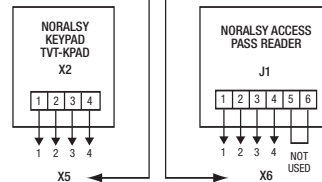
- Relay 1 (Door 1) = 5 secs.
- Relay 2 (Internal lobby door) = 12 secs.

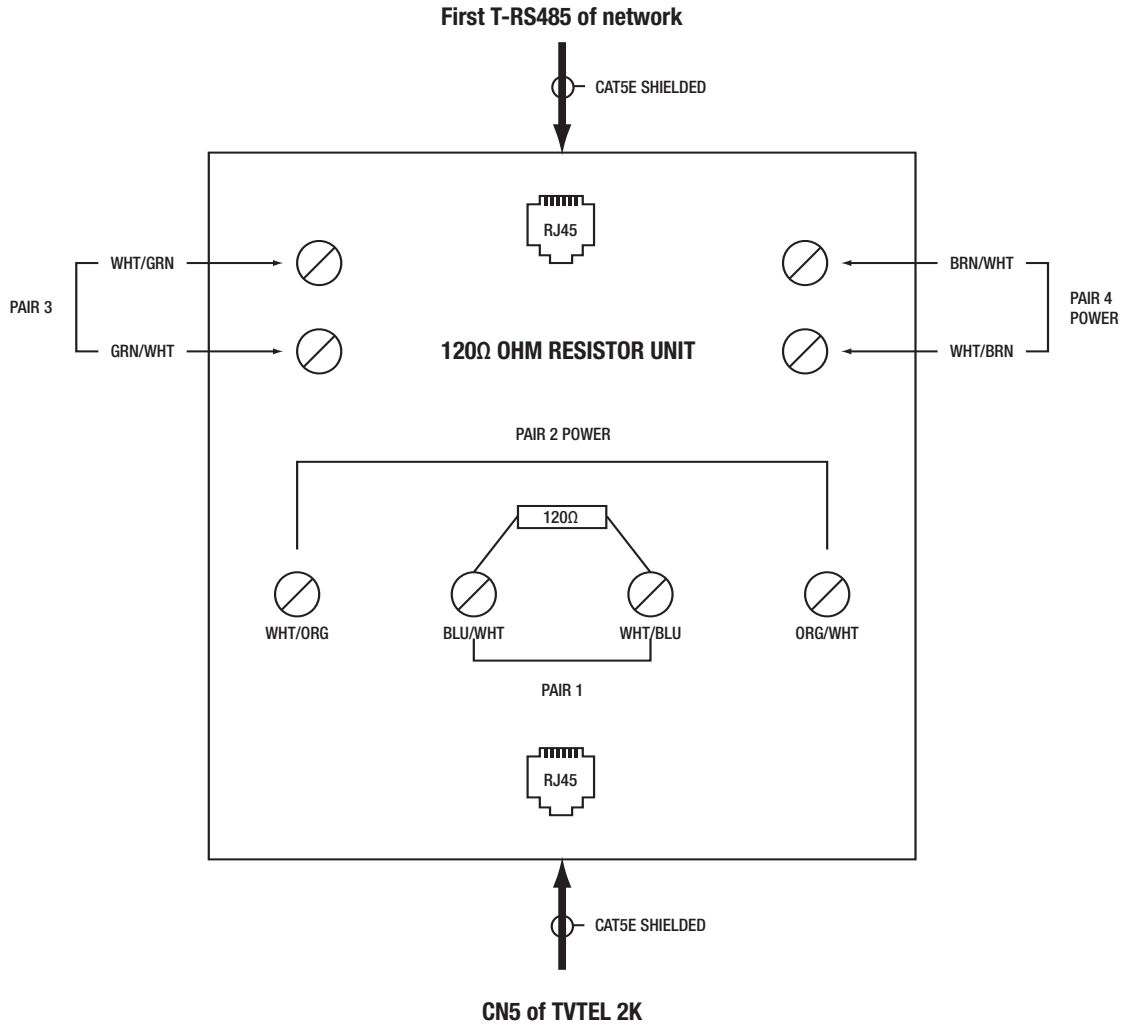
CABLE TOPOLOGIES





DOUBLE UP ON CABLES 1-4. (MAX DISTANCE 40 METRES)





WARNING: LAST T-RS485

A 120Ω (OHM) resistor must be fitted to terminals 2 and 3 of X7 of the last T-RS485 on the bus or the system **will not** work.

X7

